



**Side Mount Level Switches**

NASC's SLS300 is a side mount level switch & actuates at the location it is mounted. Designed to be used in tanks where the top of the tank is inaccessible. We offer this switch with either a 25VA or 100VA reed switch. Specifications regarding this model may change without notice. Consult factory for custom configurations.

SLS300/25SS/4SS



SLS300/25SSS



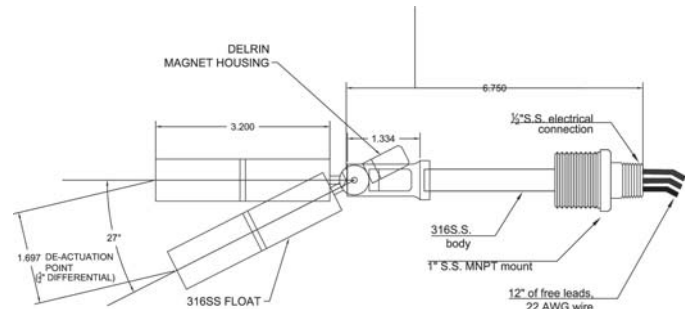
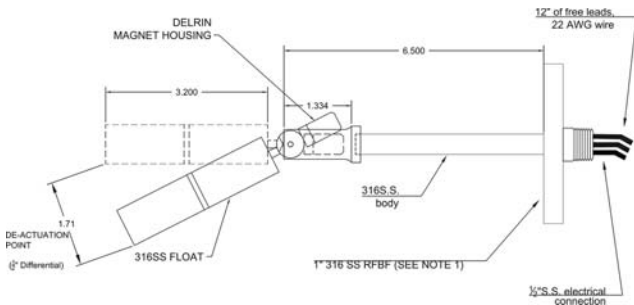
Options Available:  
Mounting: 1" - 3" MNPT or 1" - 4" Flanged.

**Note:**

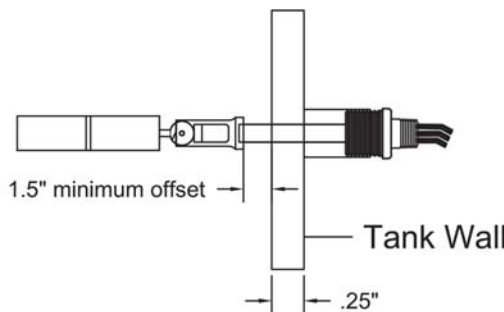
1. The actuation point will vary depending on the temperature and the specific gravity of the individual liquid being detected.
2. This product is to be used with an approved NEMA 4X terminal box that is connected to the electrical side of the switch.

**Standard Features:**

- Precision machined body
- 22 AWG PVC jacketed 4C wire
- 316SS Float
- Delrin Magnet Holders
- Hermetically Sealed SPDT Reed Switch
- Made in the USA



<b>Wiring Logic</b>
Switch Rated SPDT 25VA
Red - N.O.
Blue - N.C.
White - Common
Green - Ground



Max Temp	300F
Max PSIG	150
316SS Float SG	0.7
Watt Rating*	25 AC/DC

The ground wire on this switch should not be used as part of the circuit and should only be used when a ground is not available to the switch.

SLS300/25SSS can be supplied with a 100VA from 'C' hermetically sealed reed switch.