



Bilge/Sump Level Switches

NASC's bilge switches are designed to be installed in ships bilges, tanks and industrial sumps, where it would be bolted to an adjoining structure. Custom configurations are available upon request. Specifications regarding this model may change without notice.

BLG100/25SSS-X*



Standard Features:

- Clear polycarbonate Slosh Shield
- 316SS Stem, Float and Brackets
- 25 VA Form C Hermetically Sealed Reed Switch
- 4C 18AWG PVC Jacketed Cable
- Water Tight Seal
- Made in the USA

BLG150/25SSS-X*



BLG150/25SSS

- Manual Lift/Test Mechanism

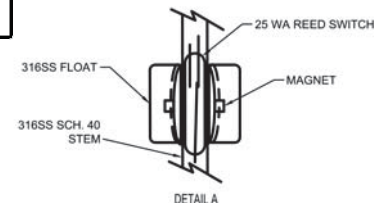
Max Temp	250F
Max PSIG	120
Float SG	0.68
Watt Rating	25 AC/DC
Max Volts	120 AC/DC

BLG225/25SSS-X*



Standard Features:

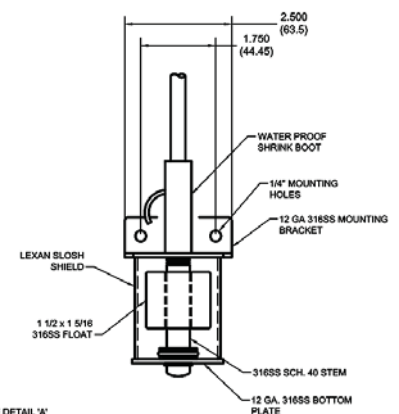
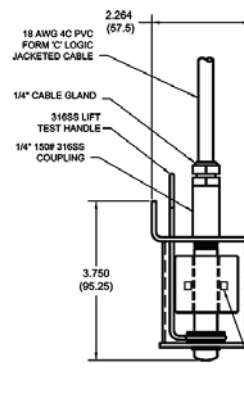
- 316SS Slosh Shield
- 316SS Stem, Float and Brackets
- 25 VA Form C Hermetically Sealed Reed Switch
- 4C 18AWG PVC Jacketed Cable
- Water Tight Seal
- Manual Lift/Test Mechanism
- Made in the USA



-X Options
STO Cable 16AWG 4C
Custom Lengths of Cable

*All switches can also be supplied with 100VA form 'C' hermetically sealed reed switch.

Note:
The actuation point will vary depending on the temperature and the specific gravity of the individual liquid being detected.





Bilge/Sump Level Switches

NASC's ABS Type approved bilge switch is designed to be installed in ships bilges, tanks and industrial sumps, where it would be bolted to an adjoining structure. Custom configurations are available upon request. Specifications regarding this model may change without notice. The (BLG250/25SSS switch is the only ABS type approved bilge level switch manufactured in the US.)

BLG250/25SSS

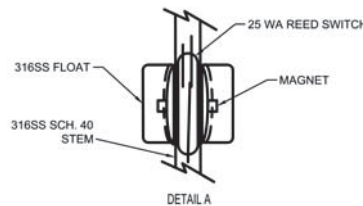
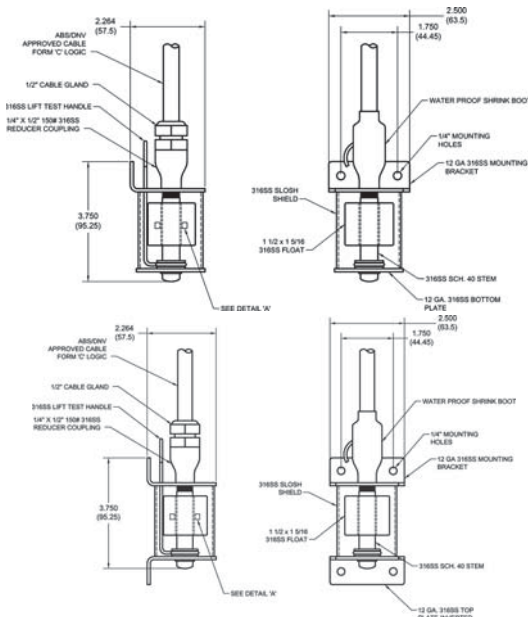


Standard Features:

- 316SS Slosh Shield
- 316SS Stem, Float and Brackets
- 25 VA Form C Hermetically Sealed Reed Switch
- ABS Approved Cable, 6 ft. Standard
- Water Tight Seal
- Manual Lift/Test Mechanism
- ABS Type Approved
- Made in the USA



Max Temp	250F
Max PSIG	120
Float SG	0.68
Watt Rating	25 AC/DC
Max Volts	120 AC/DC



For a more rugged design, our BLG250/25SSS as a double bracketing system and the slosh shield is tig welded to the brackets and stem.

Wiring Logic
Switch Rated SPDT 25VA
Red - N.O.
Black - N.C.
White - Common
Green - Ground

*All switches can also be supplied with 100VA form 'C' hermetically sealed reed switch.

Note:

The actuation point will vary depending on the temperature and the specific gravity of the individual liquid being detected.

